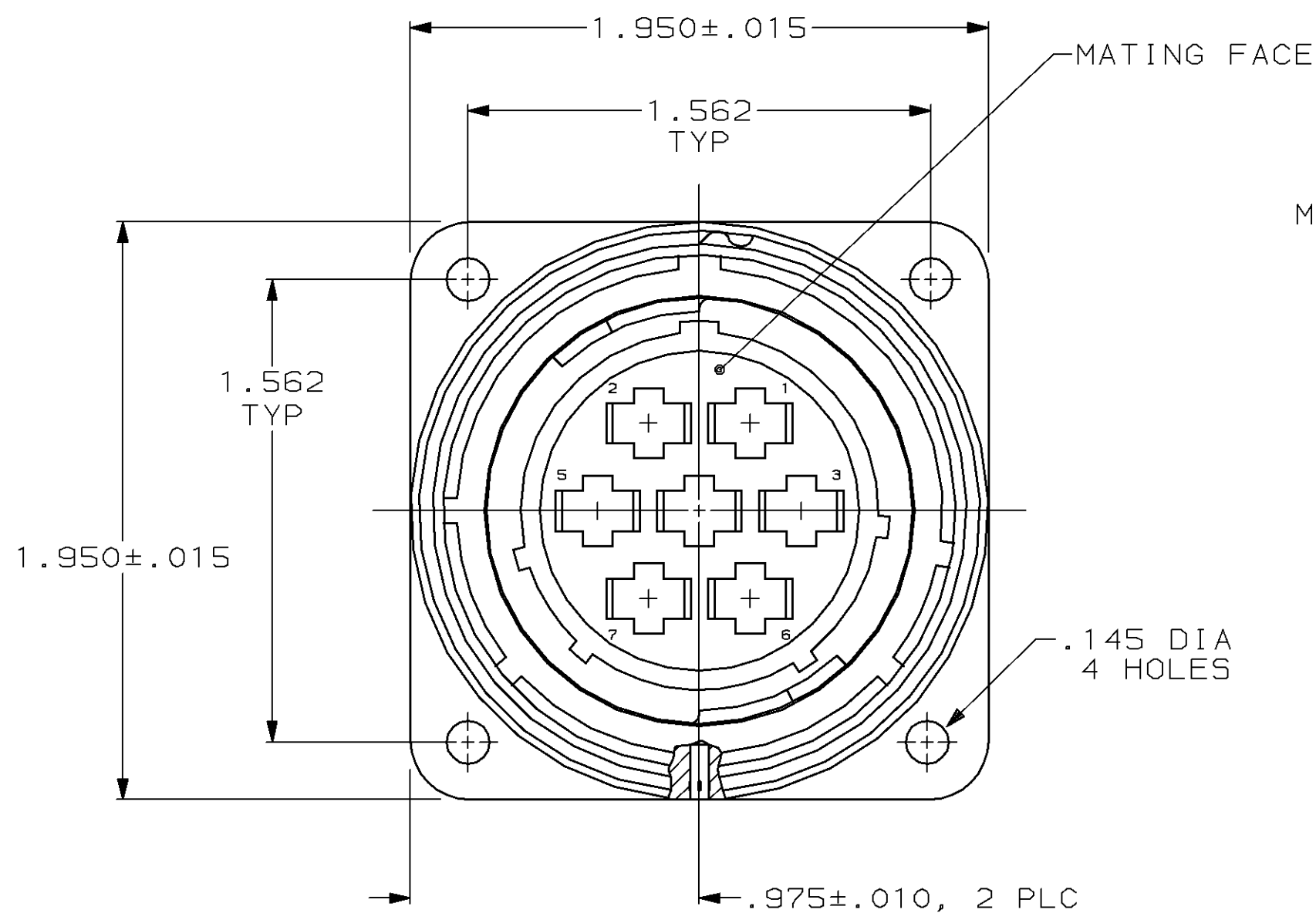


| MOD | | LOC | | DIST | | ZONE | | LTR | | REVISIONS | | |
|-----|----|-----|---|------|--|------|--|-----|--|----------------------------|----------|------|
| 4 | BD | 35 | P | F | | | | | | DESCRIPTION | DATE | APPD |
| | | | | | | | | J | | REDRAWN | 6-27-91 | - |
| | | | | | | | | K | | OBS -2 PER EC 0020-0394-93 | 11/17/94 | RK |



RECEPTACLE, REV SEX
 ARRANGEMENT 23-7
 MATERIAL: THERMOPLASTIC
 COLOR: BLACK

METAL SHELL RECEPTACLE
 MATERIAL: ZINC ALLOY
 FINISH: NICKEL PLATED PER QQ-N-290

GROOVE PIN, 2 PLC
 MATERIAL: STEEL ALLOY
 FINISH: NICKEL PLATED
 PER QQ-N-290

PERIPHERAL SEAL
 SEE TABLE

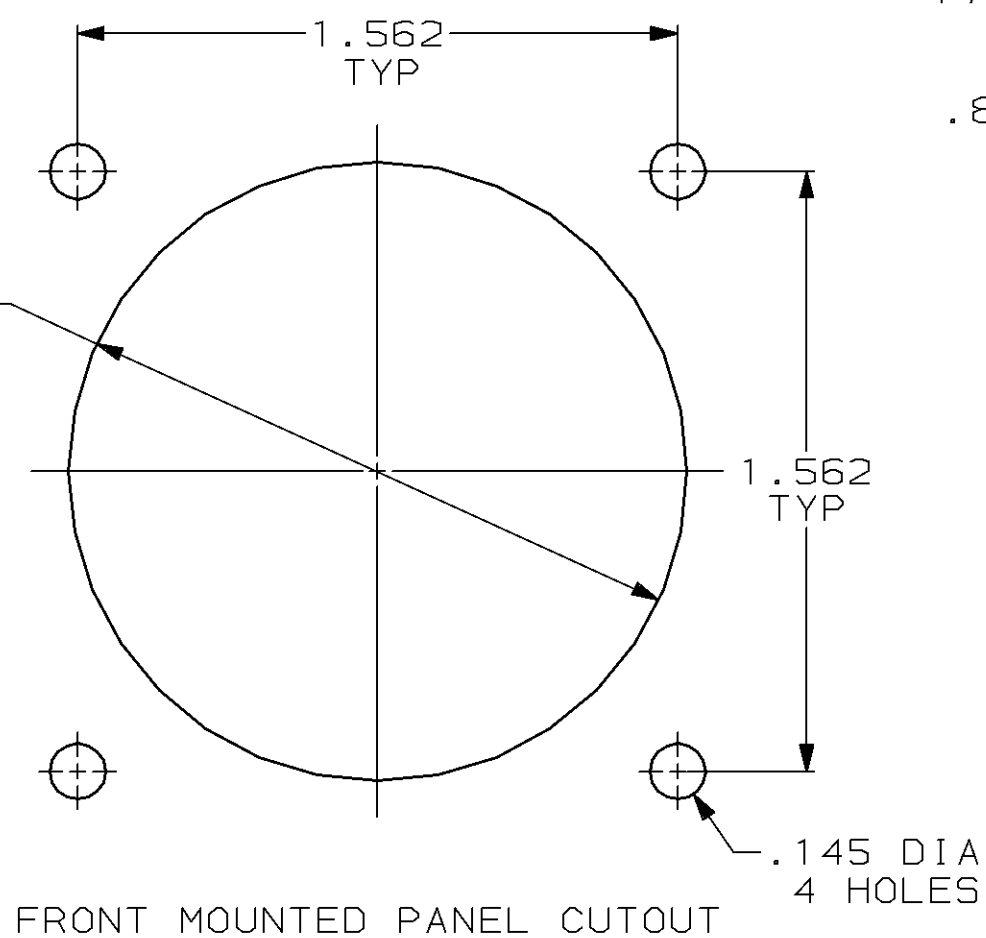
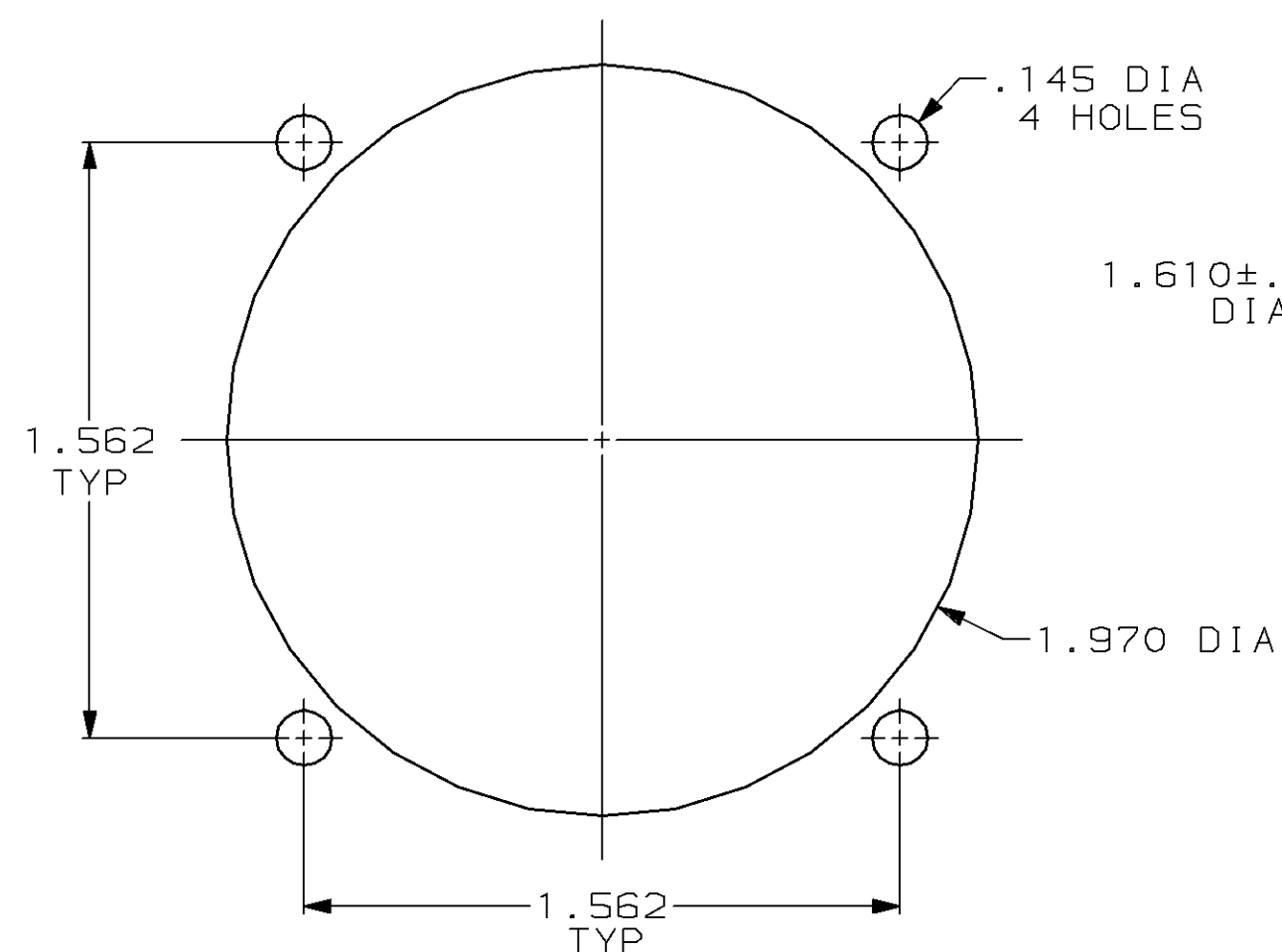
1.900 MAX

.125 MAX
 PANEL THK

.125±.010

.875±.010

1.825 MAX



REAR MOUNTED PANEL CUTOUT

| | | |
|----------|-----------------|-------------|
| OBSOLETE | YES | 208485-2 |
| | NO | 208485-1 |
| | PERIPHERAL SEAL | PART NUMBER |

- 208485-1 MATES WITH AMP PLUG 208484-1 OR -3. 208485-2 MATES WITH 208484-1 ONLY.
- AMP PART NUMBER AND DATE CODE TO BE LOCATED ON EDGE OF FLANGE.

| | | |
|---|---------------------------|--|
| DO NOT SCALE PRINT. UNLESS SPECIFIED DIMENSIONS IN INCHES TOLERANCES ON : | DR 6-27-91 R.LEE BG | AMP Incorporated Harrisburg, PA 17105-3608 |
| | CHK 4-14-92 W.G.LENKER | |
| MATERIAL | APPD 4-14-92 K.BEAVER | |
| SEE CALLOUT | APPD 4-15-92 C.ROHDE | |
| FINISH | APPLICATION SPEC | NAME |
| SEE CALLOUT | - | RECEPTACLE ASSEMBLY, REV SEX, SERIES 3, 28-7, CMC |
| WEIGHT | - | SIZE |
| | | CAGE CODE |
| | | DRAWING NO |
| | | 208485 |
| | | SCALE |
| | | 2:1 |
| | | SHEET |
| | | 1 OF 1 |